



Europäisches Patentamt
European Patent Office
Office européen des brevets



Publication number: **0 429 076 A2**

12

EUROPEAN PATENT APPLICATION

21 Application number: **90122246.3**

51 Int. Cl.⁵: **C12M 1/40**

22 Date of filing: **22.11.90**

30 Priority: **24.11.89 JP 305455/89**

43 Date of publication of application:
29.05.91 Bulletin 91/22

84 Designated Contracting States:
DE FR GB IT

71 Applicant: **MATSUSHITA ELECTRIC INDUSTRIAL CO., LTD.**
1006, Oaza Kadoma
Kadoma-shi, Osaka-fu, 571(JP)

72 Inventor: **Yoshioka, Toshihiko**
15-11-302, 4-Chome, Shinmori, Asahi-Ku
Osaka-Shi, Osaka-Fu(JP)
Inventor: **Kawaguri, Mariko**
12-1-202, 1-Chome, Dainichi-Cho
Moriguchi-Shi, Osaka-fu(JP)
Inventor: **Nankai, Shiro**
50-12, 4-Chome, Nasuzukuri
Hirakata-Shi, Osaka-fu(JP)

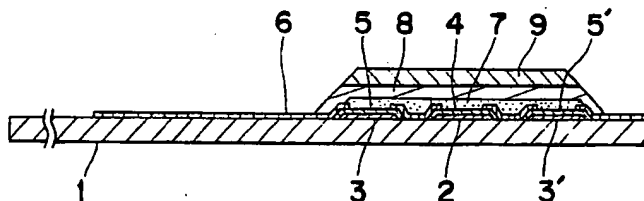
74 Representative: **Eisenführ, Speiser & Strasse**
Martinistrasse 24
W-2800 Bremen 1(DE)

54 **Preparation of biosensor.**

57 The present invention relates to a process of preparation of a biosensor comprising forming an electrode system mainly containing carbon on an insulating base plate, treating the surface of electrode system with an organic solvent, and then arranging a reaction layer on the electrode system to give a unified element; by which treatment with the organic solvent the surface of the electrode can be made even and cleaned, and the adhesion of the reaction layer onto the electrode surface can be

improved, and then the exfoliation can be prevented, and the unevenness in each individual sensor can be easily minimized by increasing the evenness of the electrode surface at the production of sensor; and by treatment with the organic solvent an oxide film on the surface of the electrode can be removed so as to give a biosensor having a excellent responsibility and an ability of determination of the substrate concentration with high accuracy.

Fig. 5



EP 0 429 076 A2

PREPARATION OF BIOSENSOR

FIELD OF THE INVENTION

The present invention relates to a process for preparation of biosensor by which a specific component in various sample solutions from the living body can be quantitatively determined in a rapid and easy way with high accuracy.

BACKGROUND OR THE INVENTION

In recent years, various biosensors utilizing a specific catalytic action possessed by enzyme have been developed and in particular, it has been attempted to apply biosensors to the clinical field, and biosensors which can provide rapid assay with good accuracy have been desired.

Taking a glucose sensor as an example, diabetes has markedly increased nowadays and for measurement and control of blood glucose concentration, it takes a very long time, since blood is centrifuged and plasma is provided for the measurement as is conventionally done. Thus, a sensor which can make measurement with whole blood is required. As a handy type, there is a stick-like support having provided thereon a carrier containing an enzyme capable of reacting only with glucose and a dye which changes color upon enzyme reaction or by the product of the enzyme reaction, like a test sheet used for inspection of urine. The stick takes the system that blood is dropped onto the carrier and after a definite period of time, a change of the dye is visually or optically determined. However, interference is serious because of colored matters in blood, resulting in poor accuracy.

Now, a multilayer type analysis carrier as shown in Fig. 1 is proposed (Japanese Utility Model Application Laid-Open No. 54-178495). The carrier has the construction comprising a transparent support 51 having provided thereon, in order, a reagent layer 52, a developing layer 53, a waterproofing layer 54 and a filtering layer 55. The measurement takes the following system: when a blood sample is dropped from the upside, solid components in blood such as red blood cells, platelets, etc. are removed by the filtering layer 55, the blood uniformly permeates into the developing layer 53 through a hole 56 in the waterproofing layer and a reaction proceeds in the reagent layer 52. After completion of the reaction, a light is irradiated from the arrow direction through the transparent support 51, whereby a substrate concentration is determined by colorimetry. The system takes a complicated construction as compared to the conventional handy stick-like carrier but its

accuracy has improved because blood cells are removed, etc. However, it takes a long time for the permeation of blood and the reaction so that the waterproofing layer 54 that prevents drying of the sample is required. In addition, incubation at a high temperature is required for accelerating the reaction. Thus, the system involves problems that apparatuses and carriers become complicated.

On the other hand, as the system for quantitative assay of a specific component in a sample such as blood, etc. from the living body with high accuracy without performing operations such as dilution, agitation, etc. of the sample solution, a biosensor as shown in Fig. 2 has been proposed (for example, Japanese Patent Application Laid-Open No. 59-166852). The biosensor comprises an insulating base plate 63 having embedded therein a working electrode 64 and a counter electrode 65 made of platinum, etc., having leads 61 and 62, respectively, and the exposed areas of these electrodes are covered with a porous material 66 having carried thereon an oxidoreductase and an electron acceptor. When a sample solution is dropped onto the porous material, the oxidoreductase and the electron acceptor are dissolved in the sample solution, whereby an enzyme reaction proceeds with a substrate in the sample solution and the electron acceptor is reduced. After completion of the reaction, the reduced electron acceptor is electrochemically oxidized and a substrate concentration in the sample is determined from a current level for the oxidation obtained in this case.

In such a construction, however, the electrodes require operations such as washing, etc., while the porous material can be exchanged for every assay thereby to readily provide for measurement. On the other hand, if it is possible to dispose the apparatus including the electrode system for every measurement, operations for the measurement become extremely simple but from aspects of electrode materials such as platinum, etc., construction and the like, the apparatus is very expensive unavoidably. For the construction of platinum electrodes, the sputtering method or the deposition method can also be used but production costs increase.

As a disposal system including the electrode system, a biosensor described in Japanese Patent Application Laid-Open No. Hei. 01-291153 has been proposed. As shown in Figs. 3 and 4 in this biosensor, the electrode system is formed on an insulating base plate (1) by means of screen printing, on which electrode system an enzyme reaction layer consisting of a hydrophilic polymer, an oxidoreductase and an electron acceptor is formed to

make them one body together with a spacer (10) and a cover (11). Introducing a sample liquid onto the enzyme reaction layer through an introducing port (12), the oxidoreductase and the electron acceptor are dissolved into the sample liquid, so that the enzymatic reaction proceeds with a substrate in the sample liquid, and the electron acceptor is reduced. After the completion of the enzymatic reaction the reduced electron acceptor is electrochemically oxidized to determine the concentration of substrate in the sample liquid from the value of the electric current generating in this oxidation.

It was difficult to produce a biosensor having an even quality in the above constitution, because the surface state of the electrode system produced according to a method such as screen printing which is usually adopted to produce a disposal biosensor economically becomes finely varied to give an uneven sensor response. Additionally, according to the above method the wettability of surface of the base plate containing the electrodes is so worse that a solution containing an enzyme is repelled on the electrodes, when coated or spread on the electrodes, so as to hardly form the reaction layer often.

Therefore, as a method of preparing sensors for measuring a specific component in a biological liquid sample such as blood or the like in a simple and rapid way with high accuracy, a method is desired by which an even reaction layer can be easily formed. Further, it is desired that the biosensor has a good storage stability.

SUMMARY OF THE INVENTION

The present invention provides a preparation of a disposable biosensor improved in the evenness among each individual biosensor, responsibility, accuracy and so on by treating the surface of electrodes of the aforementioned conventional disposable biosensor with an organic solvent in the course of the preparation thereof to remove the oxide film or other dirt formed over the electrodes.

BRIEF DESCRIPTION OF THE DRAWINGS

Figs. 1 and 2 are illustrative drawings showing examples of conventional glucose sensors.

Figs. 3 shows a perspective view of a disassembled conventional disposable biosensor.

Fig. 4 is a schematic sectional view of Fig. 3.

Fig. 5 is a schematic sectional view of one embodiment of a biosensor of the present invention.

Fig. 6 is a graph illustrating a response characteristic.

DISCLOSURE OF THE INVENTION

The present invention relates to a process for preparing a biosensor which comprises arranging an electrode system consisting of at least a working electrode and a counter electrode onto an insulating base plate, treating the surface of at least said electrodes for measurement, preferably the whole electrode system with an organic solvent, and then applying a reaction layer onto the treated electrodes.

The surface of the electrodes can be made even and clean by this treatment with an organic solvent, as the result of which the adhesion of the reaction layer onto the surface of the electrode is increased, and the release can be prevented. Further, the arrangement of the reaction layer on the electrode can be made easy, because the wettability of the electrodes is improved thereby, and the formation of bubble can be prevented because the sample liquid can be smoothly introduced onto the electrode. Therefore, a biosensor excellent in a reliability can be obtained according to the present invention.

Furthermore, it becomes easy to minimize unevenness among biosensors by increasing the uniformity of each individual biosensor when it is prepared. Additionally, an oxide film over the electrodes can be easily removed by the treatment with the organic solvent, so that a biosensor can be obtained, by which a substrate concentration can be determined with an excellent responsibility and accuracy.

According to the biosensor of the present invention an adverse influence to the electrodes by solid ingredients such as protein, blood red cell and the like in a blood sample can be prevented by arranging a layer containing a hydrophilic polymer on the electrode. Further, the inactivation of an electrode surface by oxidation can be prevented by the treatment with an organic solvent.

BEST MODES FOR PRACTICING THE INVENTION

EXAMPLE 1

In the following explanatory drawings in the examples, the same numbering is used for common elements and their explanation is in part omitted.

As one embodiment of the biosensor a glucose sensor is illustrated. Fig. 5 is a schematic sectional view of a glucose sensor, which was prepared as one example of biosensor according to the present invention.

Hereafter a process for preparing the sensor is described. Silver paste was printed on an insulating base plate (1) composed of polyethylene terephthalate by means of screen printing to form leads (2), (3), (3'). Next, conductive carbon paste contain-

ing a resin binder was printed thereon. By drying with heating, the electrode system consisting of a working electrode (4) and a counter electrode (5), (5') was formed. Furthermore, an insulating paste was printed so as to partly cover the electrode system to make the exposed area of the electrodes definite, and covered unnecessary part of the leads. By a heat treatment, an insulating layer (6) was formed.

Next, the exposed area of the electrode system (4), (5), (5') was polished and then heat-treated at 100 °C for 4 hours in the air. The working electrode and the counter electrode were then lightly wiped with a gauze impregnated with ethyl alcohol as an organic solvent, and dried.

After the electrode surface was thus treated with ethyl alcohol, 0.5 % aqueous solution of carboxymethyl cellulose (herein after simply referred to as CMC) as the hydrophilic high molecular substance (simply referred to as hydrophilic polymer hereinafter) was spread onto the electrodes and dried to form a CMC layer. In case that the CMC layer was formed on the electrode system which was not wiped with a gauze impregnated with ethyl alcohol, release of the CMC layer was observed after the layer was dried, whereas in case that the electrode system was wiped therewith the affinity between the surface of the electrode and CMC layer was increased to enable to form a stable layer. Further, the removal of carbon fine particles caused by polishing became possible, so the insulation between the electrodes could be retained.

A solution of glucose oxidase (simply referred to as GOD hereinafter) as the enzyme in phosphate buffer solution (pH value = 5.6) or in water was spread thereon and dried to form a CMC-GOD layer (7). In this case, CMC and GOD formed a thin layer having a thickness of several microns in a partly mixed state. Further, 0.5% polyvinylpyrrolidone (hereinafter simply referred to as PVP) solution in ethyl alcohol was spread so as to fully cover the first layer composed of this CMC-GOD layer and dried to form a PVP layer (8). A mixture of microcrystalline potassium ferricyanide as an electron acceptor and 0.5 % solution of lecithin as a surface active agent in toluene was dropped and spread onto the PVP layer and dried to form a potassium ferricyanide-lecithin layer (9). A human whole blood 5 µl was added dropwise onto the glucose sensor prepared according to the above method. Applying a pulse voltage of +0.6 V (based on the counter electrode) to the electrode for measurement in the anode direction one minute after, a response current was measured after 5 seconds.

The sample liquid being added, the potassium ferricyanide-lecithin layer (9) was first dissolved into the sample liquid. Comparatively large components such as a blood cell and the like in the

sample liquid were filtered by the PVP layer (8), and the sample liquid permeated to CMC-GOD layer (7), on which the glucose in the sample liquid was oxidized and simultaneously the potassium ferricyanide was reduced to potassium ferrocyanide. The aforementioned the pulse electric voltage was applied to determine the oxidizing current corresponding to the concentration of the generated potassium ferrocyanide. The current value corresponds to the concentration of glucose, i.e. substrate. A good linear relation was observed up to the glucose concentration in the whole blood being 450 mg/dl (0.025 mol/l) or more, and when this test was performed with 30 piece of the glucose sensor having the same specification to the same whole blood sample, the variation coefficient was as good as about 4 %. Using a biosensor prepared according to the present invention and one prepared according to the same manner except the treatment with an organic solvent was omitted a response characteristic in a whole blood sample was determined respectively, and the results were shown in Fig. 6, in which A and B indicated the results obtained from the biosensor treated with organic solvent and results from the biosensor without the treatment respectively. As apparent from Fig. 6, the former (A) is higher than the latter (B) in the sensitivity.

The above results are due to evenness and activation of the electrode surface by the removal of an oxide film and clinging impurities thereon by the treatment with an organic solvent. Another reason is considered that it is prevented the direct influence to the response which is caused by the absorption of solid components such as proteins, red blood cell and the like in the sample liquid onto the surface of the electrodes.

When a response current was determined using a glucose standard solution as a sample liquid, a good linear relation could be obtained up to a high concentration, 900 mg/dl (0.05 mol/l) or more.

EXAMPLE 2

The same electrode portion as illustrated in Fig. 3 was formed on an insulating base plate consisting of polyethylene terephthalate by means of screen printing in a manner similar to the Example 1. The exposed portions (4) and (5) were polished by a felt impregnated with methyl alcohol, and then dried. A polishing material having a high liquid retention as a felt being used, the polishing and the treatment with an organic solvent can be simultaneously achieved by the impregnation of the solvent into the polishing material, so the biosensor can be economically prepared. This process can also prevent the carbon particle of the electrode from scattering at polishing. Further, a CMC-GOD

layer, a PVP layer and a potassium ferricyanide-
lecithin layer were formed in a manner similar to
the Example 1.

Onto the glucose sensor prepared according to
the above process a glucose standard solution 10
 μ l was added dropwise as a sample solution, after
one minute a pulse voltage of +0.5 V was applied
between the electrodes, and then the current after
5 seconds was measured. Similar to the result from
the Example 1, a response current corresponding to
the glucose concentration was obtained. The
good linear relation was also obtained up to the
concentration of 900 mg/dl (0.05 mol/l) or more in
this Example. In case a whole blood was used as a
sample liquid an excellent reproducibility in the
response was obtained as in the Example 1.

EXAMPLE 3

According to the same manner as in the Exam-
ple 1 the several processes for the formation of the
insulating layer (6) were repeated, the exposed
portions (4) and (5) were polished, and then the
obtained substance was subjected to heat treat-
ment at 100 °C for 4 hours in atmosphere. After
this treatment the electrode system was exposed
over diethyl ether gas circumstances for 60 min-
utes. Onto the treated electrode system an aque-
ous solution of CMC (0.5 wt %) containing GOD
and potassium ferricyanide is added dropwise and
then dried at 40 °C for 10 minutes in a warm air
drier to form an enzyme reaction layer to give a
glucose sensor.

According to this method, the process for the
preparation of the glucose sensor can be simplified
by the one time addition of a mixed solution of a
hydrophilic polymer, an oxidoreductase and an
electron acceptor, and drying it. A temperature for
the drying is preferably 20 -80 °C in view of
maintenance of enzyme activity and short time
drying.

Onto the glucose sensor obtained a whole
blood 5 μ l was dropped, after one minute a pulse
voltage of +0.5 V based on the counter electrode
toward the anode was applied on the electrode for
measurement, and then the current after 5 seconds
was measured. A response current corresponding
to the glucose concentration in the whole blood
was obtained. Further, when the same sample li-
quid was dropped thereon, and the voltage was
applied after 30 seconds, almost the same re-
sponse current was observed after one minute. The
ground that the above result was obtained was that
the reaction layer contained GOD and potassium
ferricyanide in mixture, so that the reaction rapidly
progressed due to the homogenous solution after
the both were dissolved in the sample liquid.

EXAMPLE 4

According to the manner similar to the Exam-
ple 1, the electrode system was formed on the
insulating base plate, and after the polishing and
heat treatment the surface of the electrode system
was treated with ethyl alcohol. An aqueous solution
of CMC (0.5 wt %) as a hydrophilic polymer was
spread over the electrodes and dried to form a
CMC layer. Onto the CMC layer obtained an aque-
ous solution of CMC 0.5 wt% containing GOD and
potassium ferricyanide was dropped, dried at 40
°C for 10 minutes in a warm air drier to form an
enzyme reaction layer to give a glucose sensor.

The enzyme and the electron acceptor could
be concentrated upon the working electrode by
dropping a solution containing an enzyme on the
hydrophilic polymer layer as aforementioned, be-
cause the GOD and potassium ferricyanide con-
centrated upon the dropping point without broadly
spreading over the CMC layer due to the rapid
absorption of water into the CMC layer, which was
a solvent for the GOD, potassium ferricyanide and
CMC lately added. As such the GOD and potas-
sium ferricyanide could be concentrated onto the
electrode for measurement of the sensor by drop-
ping the mixed aqueous solution containing the
GOD after the CMC layer was composed, and it
became possible to prepare a sensor by which a
stable response was obtained by developing a
minimum amount of sample to be needed.

Onto the glucose sensor obtained according to
the above process a whole blood 5 μ l was dropped
as a sample liquid, and then after one minutes a
pulse voltage of + 0.5 V based on the counter
electrode toward the anode was applied to the
electrode for measurement. When the electric cur-
rent after 5 seconds was determined, a response
current value corresponding to the glucose con-
centration in the whole blood was obtained. When
this test was performed with 30 pieces of the
sensor to the same whole blood sample, the vari-
ation coefficient was as good as about 3 %.

Though in the above Examples there are illus-
trated glucose sensors, the present invention
should not be construed limitedly to the glucose
sensors, but applicable to any system to which an
oxidoreductase relates.

As the treatment with an organic solvent there
are exemplified the application of ultrasonic wave
(frequency: typically 26 kHz) to the electrode as
immersed in the organic solvent for several min-
utes, immersion of the electrode into an organic
solvent for about 2 hours and the like, by which a
similar effect can be achieved.

The organic solvent usable in the present in-
vention may be selected from any solvents which
do not adversely affect, for instance, dissolve, swell

or soften the base plate or the electrode system. Easily volatile solvents are preferable. As a preferable solvent there are exemplified alcohols such as methyl alcohol, ethyl alcohol, isopropyl alcohol and the like; ethers such as diethyl ether; hydrocarbon, such as n-hexane, heptane, cyclohexane, and the like.

Though CMC and PVP are used as a hydrophilic polymer in the above Examples, it should not be construed limitedly to these polymers. As a suitable hydrophilic polymer there are included polymers such as polyvinyl alcohol or copolymer thereof, cellulose derivatives, gelatine or its derivatives, starch or its derivatives, homo or copolymer containing a residue derived from an unsaturated monomer such as vinyl pyrrolidones, (meth)acrylic acid, salts thereof, maleic anhydride, salts thereof, (meth)acryl amide or salts thereof and the like, by which similar effect is achieved.

The solution containing one or more hydrophilic polymer as aforementioned may be applied in a suitable concentration and dried to form a hydrophilic polymer layer on the electrode in a necessary thickness.

Though in the above Examples the lecithin is used for dispersing the electron acceptor, any other dispersant can be used providing that it does not adversely affect the enzyme activity. As examples of the dispersant usable in the present invention includes a nonionic surface active agent such as polyoxyethylene alkylphenyl ether, polyoxyethylene alkyl ether, polyethylene glycol alkyl ester, sorbitan fatty acid ester, polyoxyethylene sorbitan fatty acid ester, glycerine fatty acid ester, and the like; an anionic surface active agent such as fatty acid such as oleic acid or salts thereof, alkylbenzenesulfonate, alkyl sulfate, and the like.

There is described a glucose sensor comprising two electrodes, a working electrode and a counter electrode in the above Examples, but the sensor may contain additional electrode, i.e. a reference electrode, by which more accurate measurement can be achieved.

As an electron acceptor there are exemplified p-benzoquinone, phenazine methosulfate, ferrocene and the like other than the aforementioned potassium ferricyanide.

As an oxidoreductase there are exemplified alcohol oxidase, cholesterol oxidase, xanthine oxidase, amino acid oxidase, and the like can be used other than the glucose oxidase.

INDUSTRIAL APPLICABILITY

According to the present invention a biosensor improved in the responsibility and accuracy, and evenness among each individual biosensor can be obtained, and as the obtained biosensor is usable

to assay defined components in various living samples rapidly and accurately, it can be used for clinical test with great utility.

Claims

1. A process for preparation of a biosensor for determining electrochemically a change of substance concentration at the reaction of an enzyme, an electron acceptor and a sample liquid, which comprises arranging an electrode system essentially consisting of at least a working electrode and a counter electrode on an insulating base plate, treating at least the surface of the electrode for measurement with an organic solvent, and arranging a reaction layer consisting of at least an enzyme and an electron acceptor on the electrode system.
2. A process for preparation of a biosensor of the Claim 1, in which the reaction layer consists of at least an oxidoreductase, a hydrophilic polymer and an electron acceptor.
3. A process for preparation of a biosensor of the Claim 1, in which the electrode system essentially consists of at least a counter electrode and a working electrode made of carbon as a main component.
4. A process for preparation of a biosensor of the Claim 1, in which the electrode system mainly consisting of carbon is applied on an insulating base plate by screen printing.
5. A process for preparation of a biosensor of the Claim 1, in which the organic solvent is selected from the group consisting of alcohols, hydrocarbons, and ethers.
6. A process for preparation of a biosensor of the Claim 2, in which the process comprises forming a first layer containing a hydrophilic polymer and an oxidoreductase on the electrode treated with an organic solvent, forming a second layer of a hydrophilic polymer by applying a solution of a hydrophilic polymer in an organic solvent on the first layer, and then forming a third layer containing an electron acceptor by applying a dispersion of the electron acceptor in an organic solvent on the second layer.
7. A process for preparation of a biosensor of the Claim 2, in which the reaction layer is formed by applying a solution comprising a hydrophilic polymer, an oxidoreductase, and an electron acceptor on an electrode treated with an organic solvent.
8. A process for preparation of a biosensor of the Claim 2, in which the reaction layer is formed by forming a layer containing a hydrophilic polymer on an electrode treated with an organic solvent, and applying a solution containing an oxidoreductase and an electron acceptor to said layer containing a

hydrophilic polymer.

9. A process for preparation of a biosensor of the Claim 6, 7 or 8, in which the hydrophilic polymer composing of the reaction layer is selected from the group consisting of cellulose derivatives, gelatine or its derivatives, starch or its derivatives, homo or copolymer containing a residue derived from unsaturated monomer selected from the group consisting of vinyl pyrrolidones, (meth)acrylic acid, salts thereof, maleic anhydride, salts thereof, (meth)acryl amide or salts thereof.

5

10

15

20

25

30

35

40

45

50

55

Fig. 1

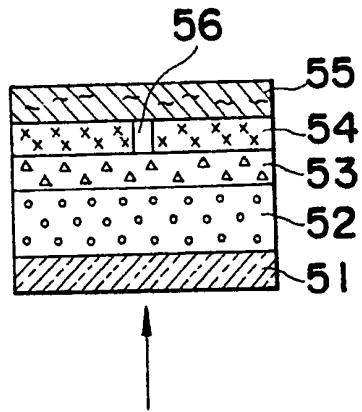


Fig. 2

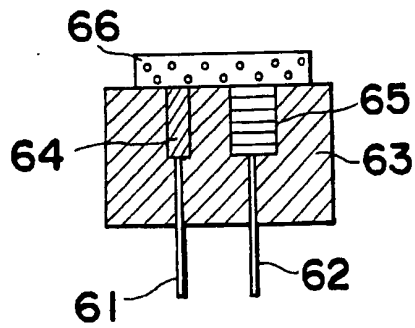


Fig. 3

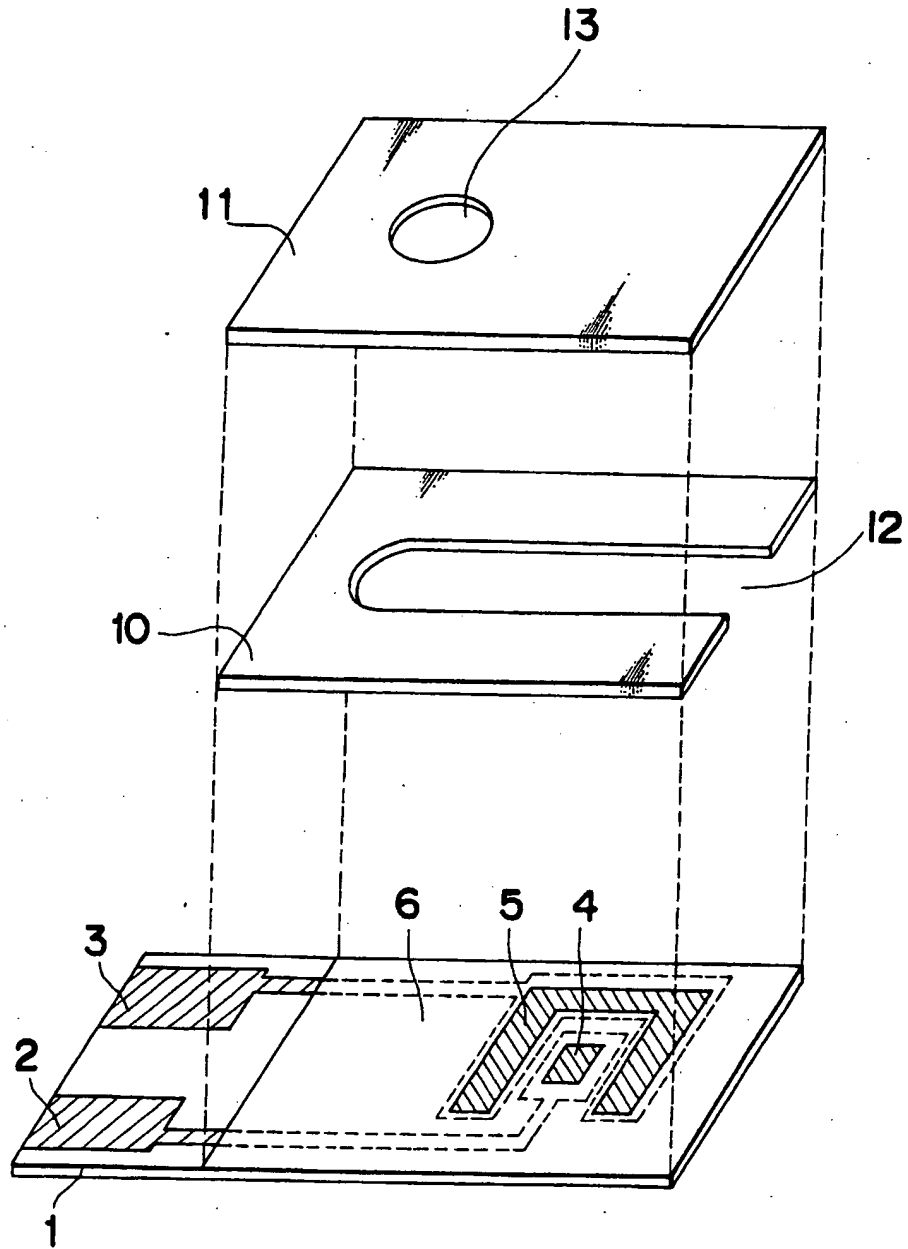


Fig. 4

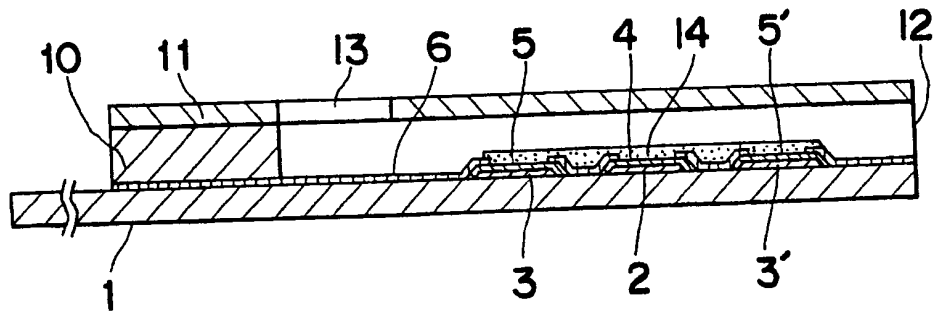


Fig. 5

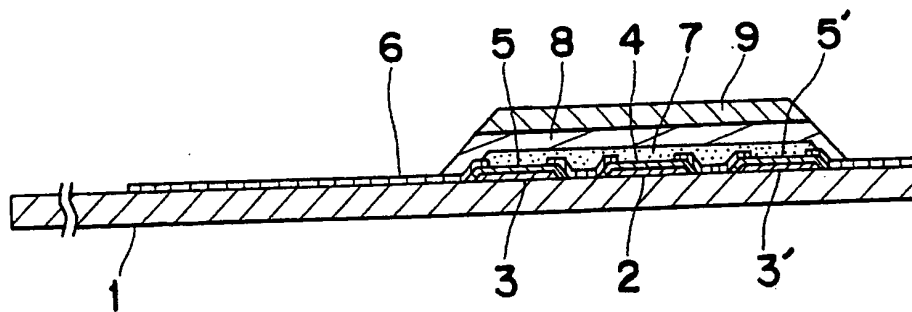
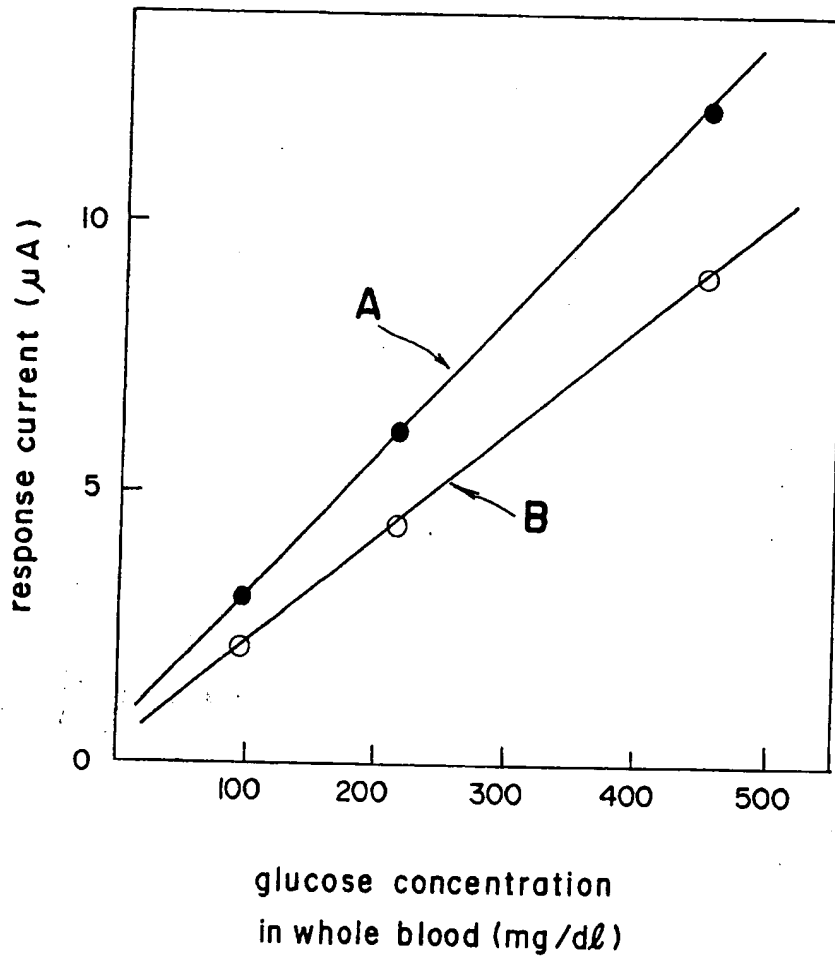


Fig. 6



BLANK PAGE